



figure

713

ends
formthreaded
straight

LIQUID LEVEL INDICATOR WITH GLASS PIPE



body material	nominal pressure	size	max. temperature	ex.index
N <i>carbon steel</i>	C 16 bar	-	150°C	713
M <i>acid resistant steel</i>	C 16 bar	-	150°C	713CrNi

FEATURES

- threaded connections $\frac{3}{8}$ ", $\frac{1}{2}$ ", $\frac{3}{4}$ ", 1". Other connections – in coordination with manufacturer.
- they can also be executed with flanged connections. They are drilled at PN 40 as for DN 20 in such case and executed with sealing surfaces type E with spline according to PN EN 1092-1.

APPLICATION

- threaded liquid level indicator 713 are designed to show liquid level in pressure tanks about working pressure up to 16 bar. They can be applied to boilers about working temperature to 150°C.

Data given can be changed without notice.

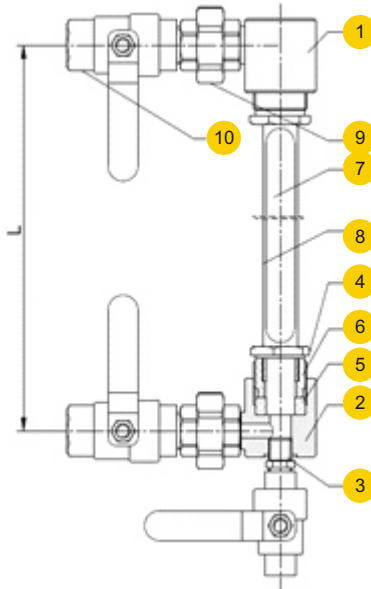
ZETKAMA
Group

Edition 04/2013



figure	713
ends form	threaded straight

MATERIALS



	body material	N	M
	type	02	
1	upper head	S235JR	X6CrNiTi18-10
2	bottom head	S235JR	X6CrNiTi18-10
3	ball valve 1/4"	11SMn30	X6CrNiTi18-10
4	nut	S235JR	X6CrNiTi18-10
5	gland ring	S235JR	X6CrNiTi18-10
6	gland seal	seal ring from expanded graphite	
7	glass pipe	glass	
8	protective glass	P235	X6CrNiTi18-10
9	connection	-	
10	cover plate	-	
	max temperature	150°C	

On client's request there is a possibility to deliver only head sets for liquid level indicator.

Length of pipe should be selected according to model:

Axle base [L] - 30mm = length of pipe



figure

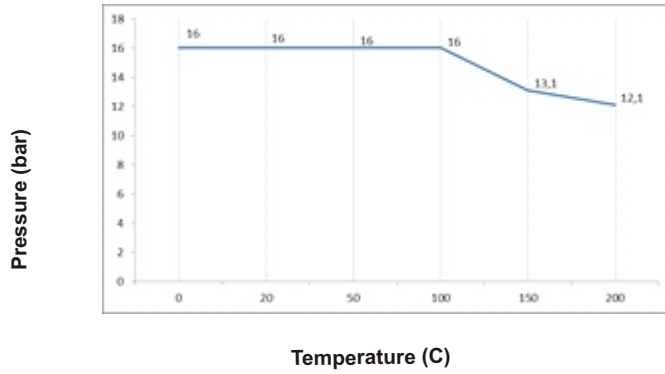
713

ends
form

threaded
straight



PRESSURE-TEMPERATURE RATINGS



Allowed working conditions range
PN 16 S235JR



figure	713
ends form	threaded straight



TYPES

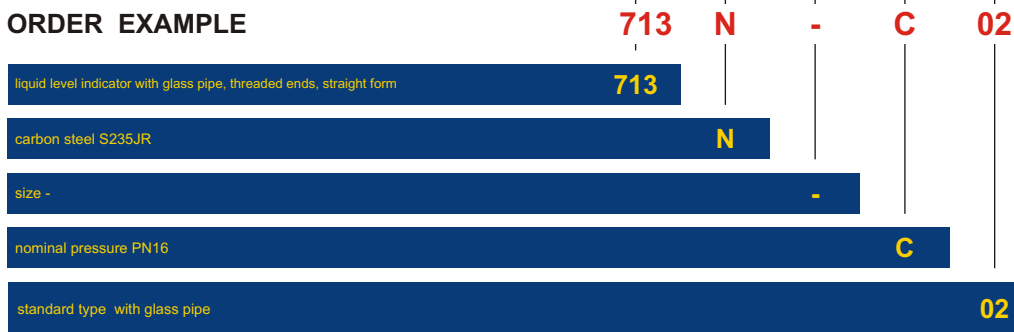
figure	body material	size	nominal pressure PN	type
713	N carbon steel S235JR	-	C 16bar	02 Tmax 150 °C standard type with glass pipe
	M acid resistant steel X6CrNiTi18-10	-	C 16bar	02 Tmax 150 °C standard type with glass pipe

ORDERING

To place an order please use our product number (index)



ORDER EXAMPLE



Data given can be changed without notice.

ZETKAMA
Group
Edition 04/2013